



Technical specifications:

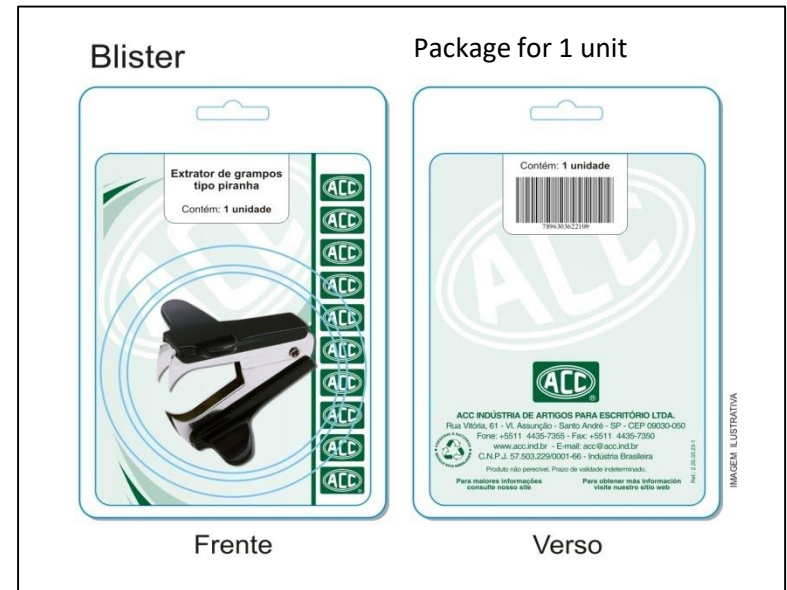
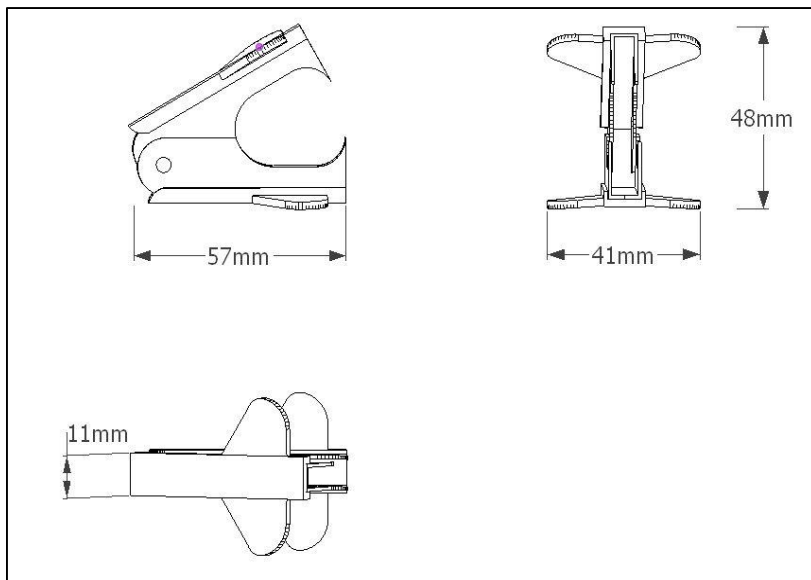
Product: CLAW STAPLES REMOVER

Application: Staple removal, general office use.



Illustrative picture

Specification	Values
Dimensions (mm) C x l x a (l,w ,h)	57x41x48
Material	Steel and plastic
Finishing	nickel plated
Net weight (g) per unit	23



Subject to change without prior notice

ACC Indústria de Artigos para Escritório LTDA
 Rua Vitória, 61 - Vila Assunção Santo André – SP
 Fone : +55 11 4435-7355 www.acc.ind.br

BRAZILIAN INDUSTRY

